



innovate  
lifts

**TSL500**

Domestic Step Lift

Call 01892 557530 for free and impartial advice

# TSL500 Domestic Steplift

**Practical:** As well as providing wheelchair access, the TSL500 can also accommodate pedestrian access when supplied with bridging steps.

**Easy to use:** Convenient controls to the carriage, upper and lower levels (remote option also available) Shallow approach ramp for easy access onto the lift platform.

**Easy installation:** Self-contained unit is suitable for mounting on to a smooth flat surface and can be easily installed in less than a day.

**Cost effective:** Often cheaper than a ramp and can be easily re-sited.

**Reliable:** Battery back-up provides normal operation in case of a power cut

**Low maintenance:** Annual servicing recommended. Service contract available

**Safe:** Built in the UK to BS 6440:2011 by a Company with over 50 years' experience in mobility and access Products.

**Versatile:** The TSL500 will travel up to 500mm with upper gate protection or with a single bridge step.

## Standard Specification

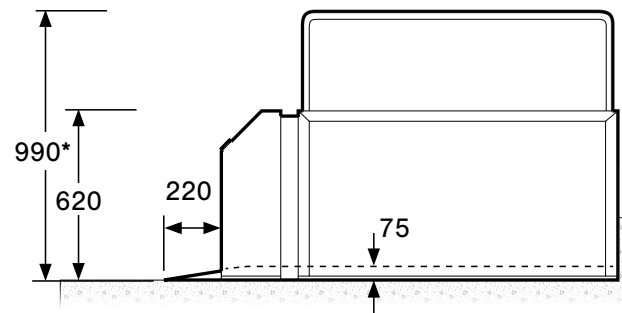
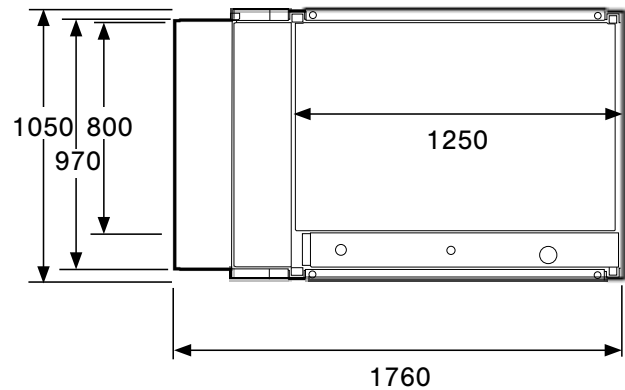
- Can be sited internally or externally for wheelchair use only.
- Maximum safe working load: 250Kg.
- Closed height: 75mm.
- Maximum height served: 500mm.
- 800mm x 1250mm usable platform size.
- Power supply electrical requirements: 220 / 240V~50 / 60 Hz-13A single phase.
- Low voltage 24V DC control system.
- Operating temperature range: -10°C to +40°C.
- Automatic wheelchair arrestor mechanism.
- Full battery back-up.
- Constant pressure controls.
- Hydraulic drive scissor mechanism.

## Options Available

- Single bridging step.
- Upper level gate with interlock - Powered or Manual.
- Gate interlock for customer supplied upper gate.
- Remote isolate or enable fob.
- Alternative colours to painted parts.
- Painted or stainless steel post for call station mounting.

## Dimensions

All dimensions in mm



\*Handrails shown are an optional extra



**innovate**  
lifts

Innovate Lifts Ltd  
Office 1, The Lakeside Centre,  
Eastleigh, Hampshire SO50 5PE

Tel: 01892 557530

Tel: 02382 516739

[www.innovatelifts.com](http://www.innovatelifts.com)

[info@innovatelifts.com](mailto:info@innovatelifts.com)

