

Portable Lifting Platform

Innovate
LIFTING SYSTEMS

TRAVEL UP TO 1M

CARRY UP TO 250KG

WHEELCHAIR USERS ONLY

INTERNAL USE



The Portable Lifting Platform is the ideal solution where temporary wheelchair access is required to stages or mezzanine levels in schools, theatres and many other areas where small heights restrict access.

The self-contained unit can be quickly moved into position and simply plugged into existing power points. For short periods of use, built-in rechargeable batteries provide up to 30 cycles between charges. The convenient controls (remote option available) and shallow approach ramp to portable base frame make it easy to use. Large castors allow easy transportation from store room to point of use.

The Portable Lifting Platform folds up for transportation to storage area and its low maintenance, low voltage operating system makes this an ideal choice for temporary usage.

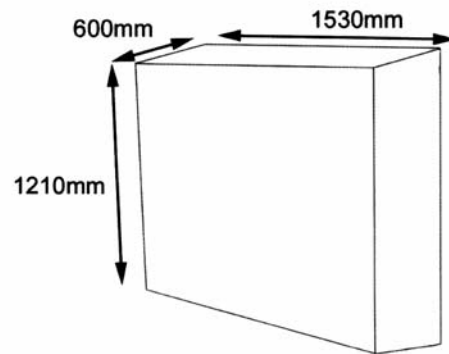
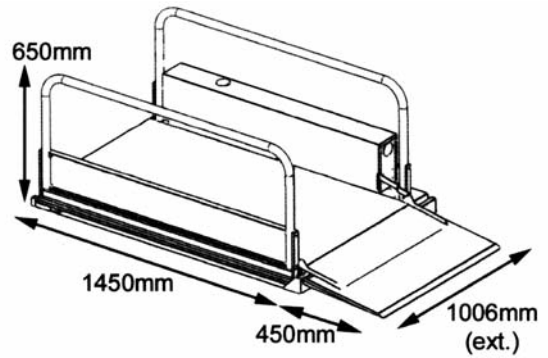
PRODUCT FEATURES

- ▶ Easy to set up
- ▶ Easy to use
- ▶ Easy to store
- ▶ Low maintenance
- ▶ Safe
- ▶ Cost effective



Technical Specifications for the Portable Lifting Platform

Typical Application	Ideal for stage / platform access Wheelchair users only
Maximum Travel	1000mm
Unladen Weight	140kg
Internal Platform Size	1450mm x 800mm
Closed Height	100mm
Rated Speed	0.06 m/s
Safe Working Load	250kg
Lifting Mechanism	Electro hydraulic
Electrical Supply	240v, ISA Charger Plugs into socket
Design Standard	CE Marked



FOR FURTHER INFORMATION

For professional advice, a quotation or further details on any of our lifting systems please contact us at:

The Southborough Centre, Warehouse No.1, Draper Street,
Southborough, Tunbridge Wells, Kent TN4 0PG

T: 01892 557530

F: 01892 557531

E: info@innovatelifts.com

W: www.innovatelifts.com

All information in this leaflet is correct at the time of printing.
Innovate Lifting Systems reserve the right to make technical
alterations due to product development.

Innovate
LIFTING SYSTEMS