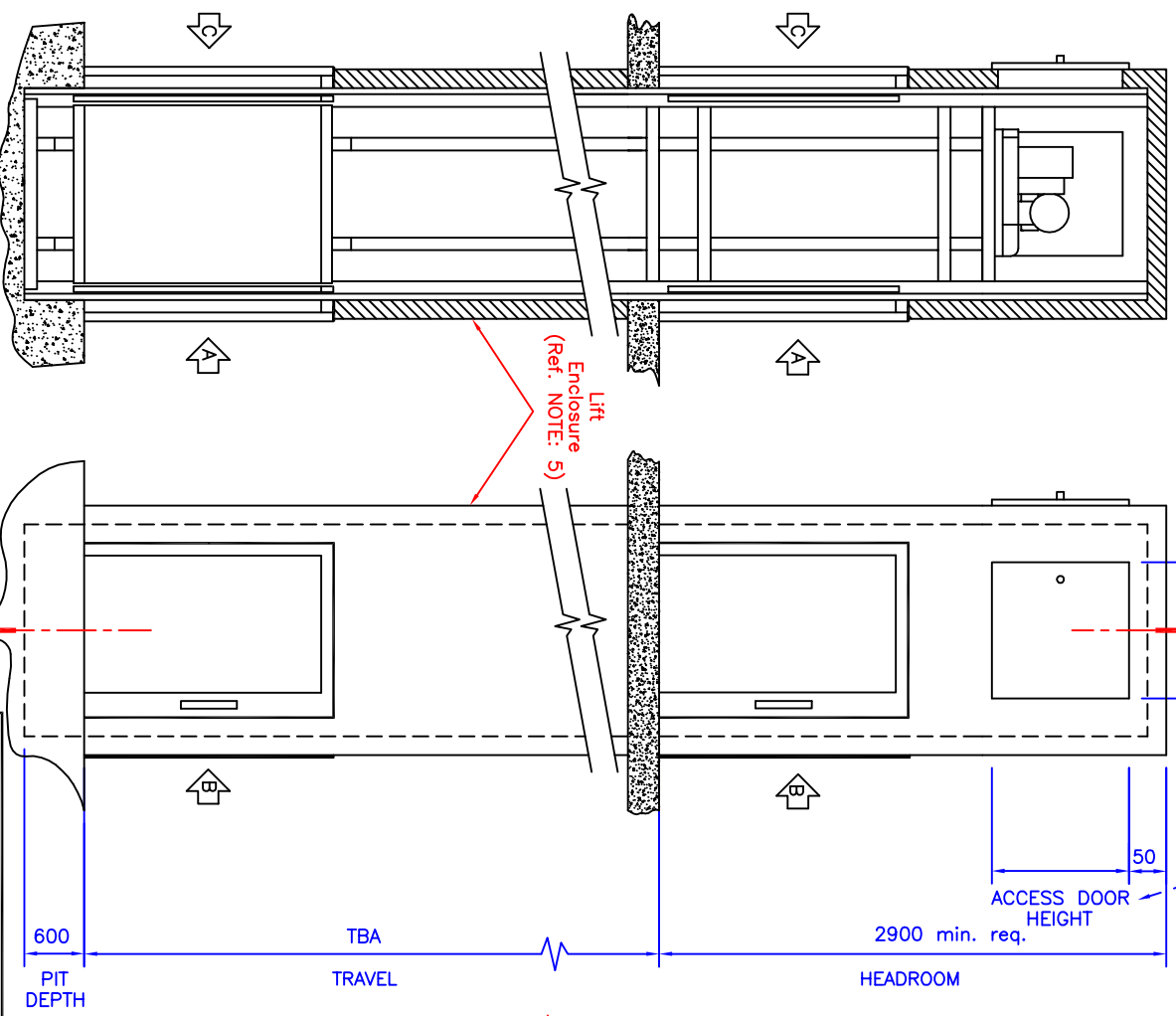


DO NOT SCALE

IF IN DOUBT - ASK

UNLESS OTHERWISE ADVISED, WE WILL INSTALL THE LIFT TO THE CONFIGURATION AND DIMS SHOWN ON THIS DRAWING



TYPICAL SECTION (X-X)

TYPICAL FRONT ELEVATION IN DIRECTION OF ARROW Z

SITE ADDRESS: TBA

Trolleylift 300H SERVICE LIFTS

DRAWN BY: C.H DATE: 12/6/07

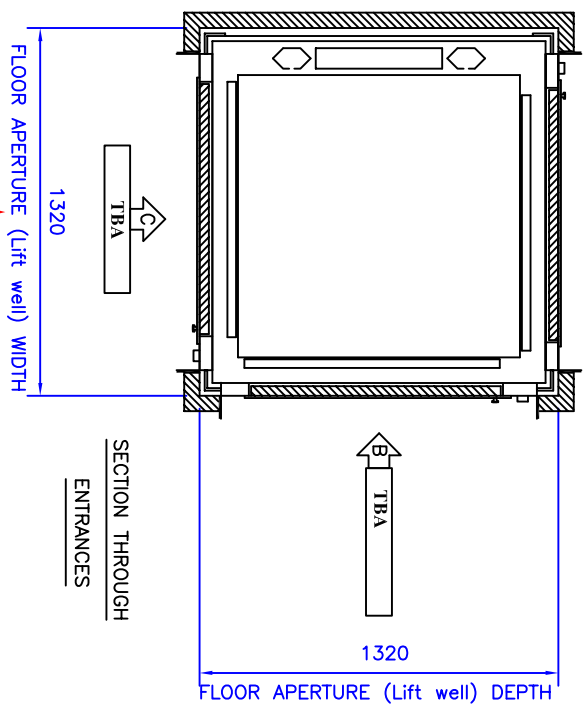
DRAWING NUMBER: INFO ONLY

Innovate LIFTING SYSTEMS

The Southborough Centre Warehouse No. 1 Deper Street, Southborough Turlough Park, Kent TN11 0PG T: 01892 597530 F: 01892 597531 E: info@innovatelifts.com W: www.innovatelifts.com

NOTES

1. Please read this drawing in conjunction with our builder's Work Schedule Stages 1 & 2.
 2. Builder to provide trimmed floor aperture (lift well) to minimum dimensions 1320mm wide x 1320mm deep (tolerance +25mm, -0mm).
 3. Provide a pit to minimum dimensions 1320mm (lift well) width x 1320mm (lift well) depth (tolerance +25mm, -0mm) x 600 mm (pit depth), where this is not practicable, a suitable ramp/s to be provided to a height to match the pit depth.
 4. Builder to provide enclosure and entrance liners. DO NOT BUILD UNTIL AFTER LIFT INSTALLATION
 5. Builder to provide 2 hinged and lockable access doors, as shown, each 700mm wide x 700mm high.
 6. Builder to provide a 13amp socket within the motor room area.
 7. Builder to provide motor room access ladder.
- N.B. If items 4,5,6 and 7 are not complete when we return to test, commission and offix a CE Mark to the lift, then an additional return visit charge will be raised in line with our quotation.



SECTION THROUGH ENTRANCES

FLOOR APERTURE (Lift well) WIDTH

FLOOR APERTURE (Lift well) DEPTH

ALL DIMS IN MMS